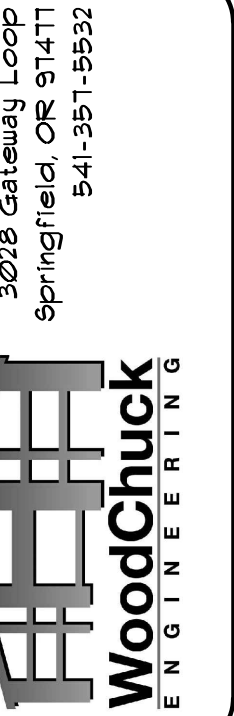
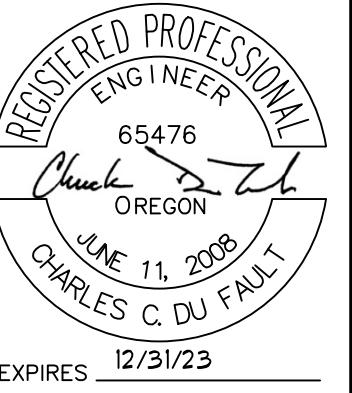
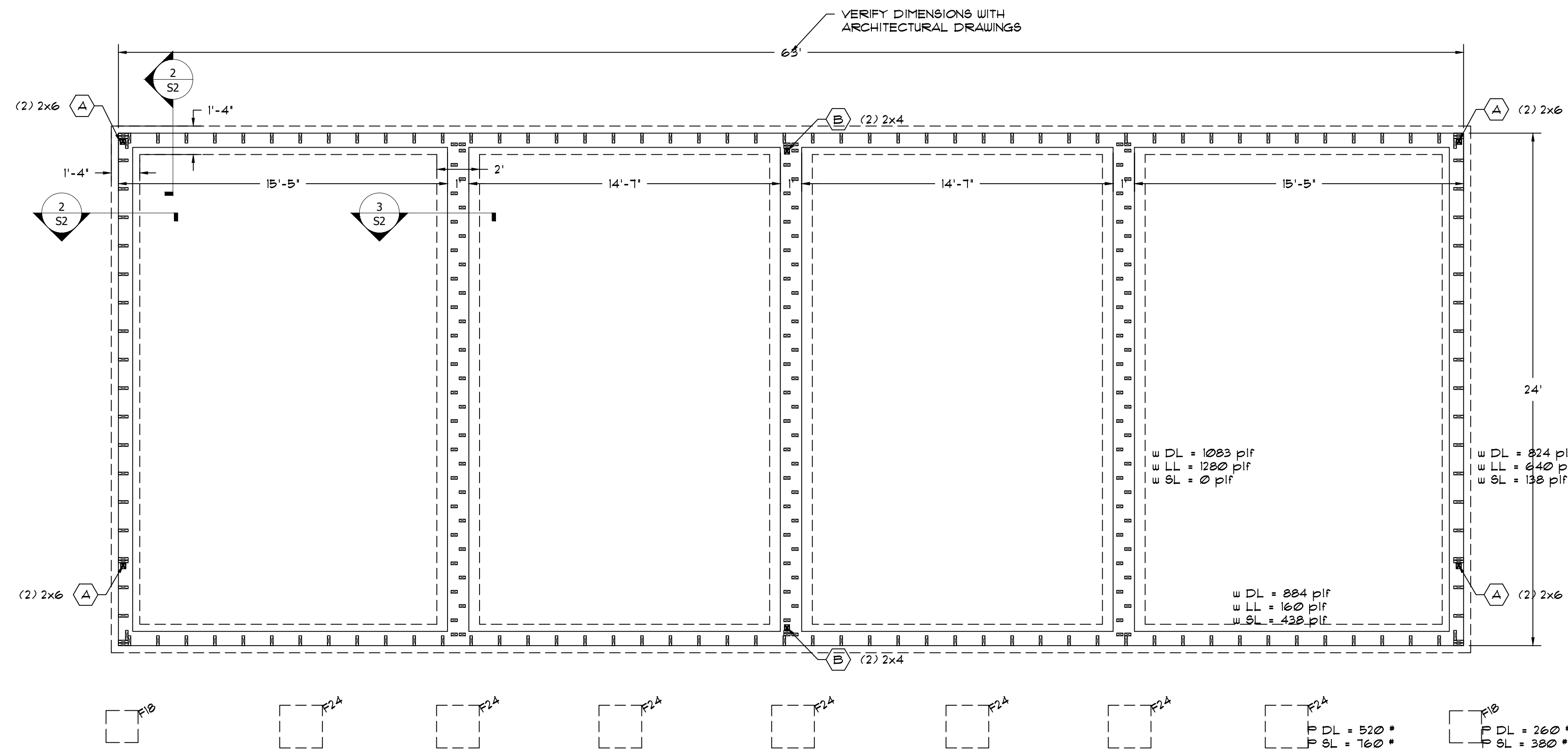


Footing Schedule		
F18	18" x 18" x 12"	(2) #4 Bars Each Way
F24	24" x 24" x 12"	(3) #4 Bars Each Way



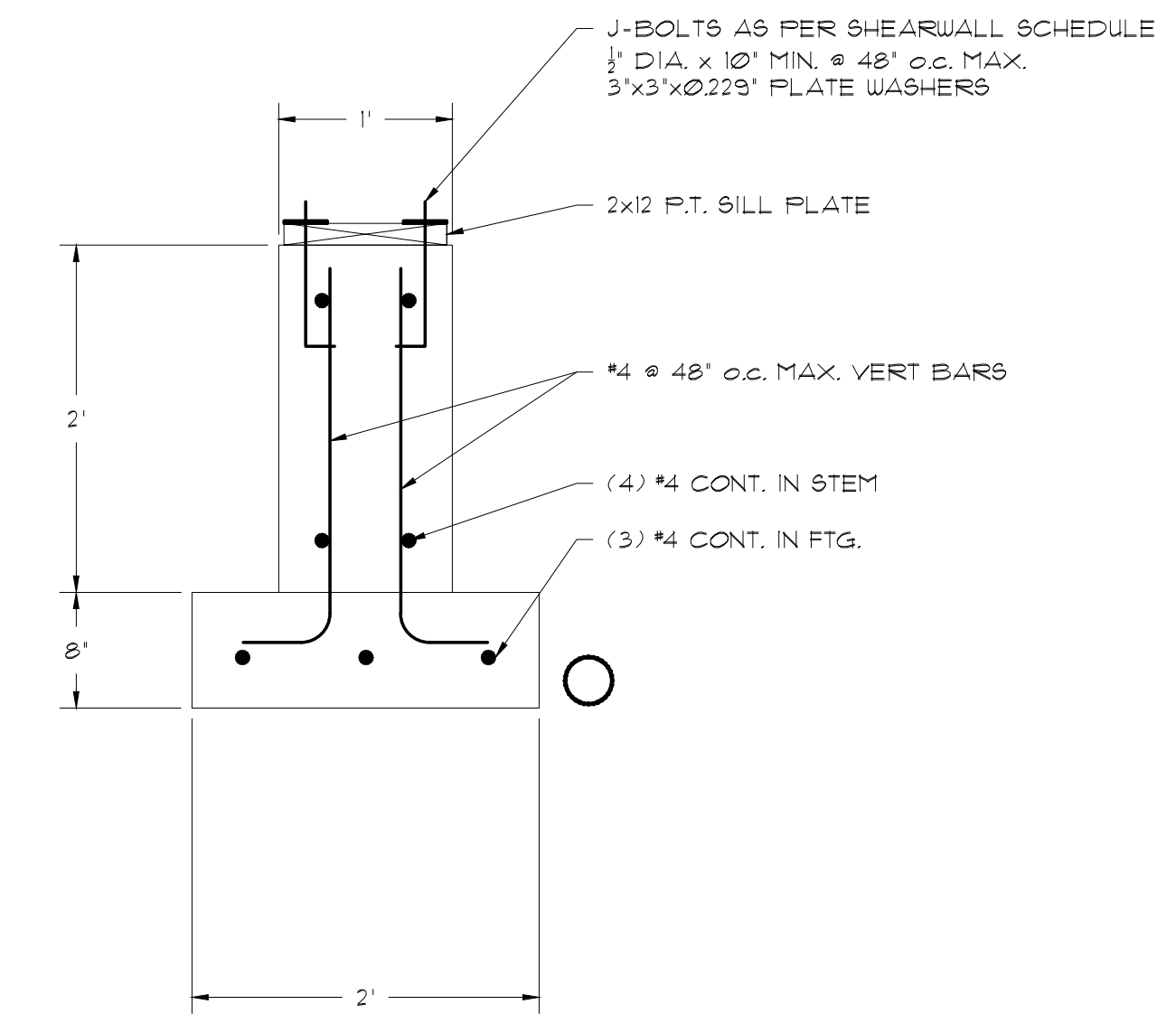
FOUNDATION PLAN
 Quad Flex Row
 575 Greenwood Ave
 Reedsport, OR 97461

McIntyre Construction
 91 S Danebo Ave
 Eugene, Oregon 97402
 541-687-2841



1 FOUNDATION PLAN

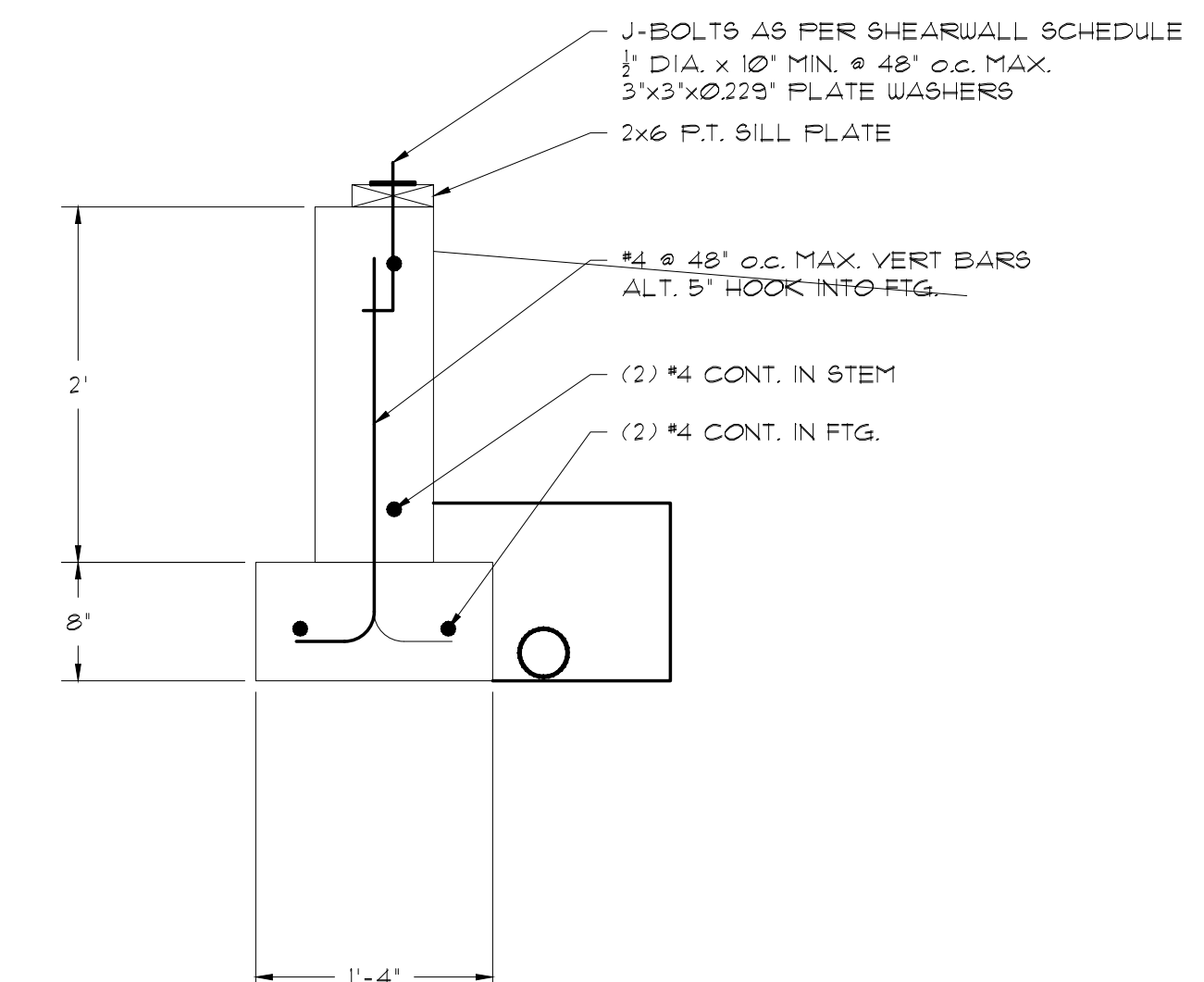
Scale: 1/4" = 1'-0"



3 INTERIOR FOUNDATION

Scale: 1" = 1'-0"

f'c = 2500 psi
 Fy = 60 ksi



2 PERIMETER FOUNDATION

Scale: 1" = 1'-0"

Rev	Description	Date
1	Foundation	6/26/2023

Drawing No.	Date
23012	4/5/23
Drawn By	Checked By
CCD	CCD
Sheet of	
S2	2